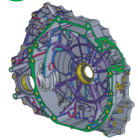


# CompareWorks

## CAD Validation Add-In For SolidWorks

✓ NO CHANGE



! CHANGE

- Validates imported SolidWorks model integrity
- Extends SolidWorks capabilities to comply with Model Based Enterprise processes
- Based on a concept derived from Boeing D6-51991 Quality Assurance Standard

Now it is possible to validate CAD models imported into SolidWorks!

Capvidia's CompareWorks add-in enables SolidWorks users to validate CAD models imported into SolidWorks. It detects any geometry deviation between the imported and the original CAD models.

### Translation Validation

Is a CAD model translated into SolidWorks the same as the original CAD model? A model imported into SolidWorks can be different than the original model or it can have translation errors. Countless hours can be spent trying to manually correct translation errors. Once errors are corrected does the SolidWorks model match the original CAD model? CompareWorks eliminates any guessing and makes it easy to validate an imported model even after corrections have been made.

### Data Migration Validation

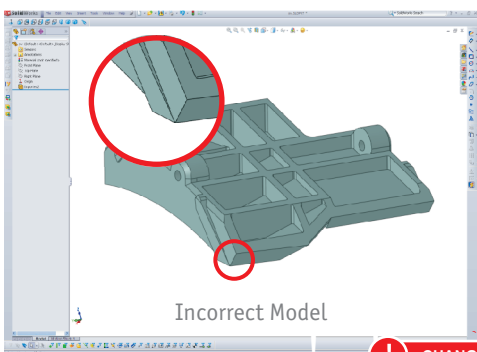
Migration of data from other CAD systems into SolidWorks requires that the imported model has to be the same as the original model. CompareWorks provides the confidence that the migration was done correctly by comparing the SolidWorks model back to the original model. CompareWorks also has a powerful batch capability to streamline and automate the validation process.

### Model Based Enterprise (MBE)

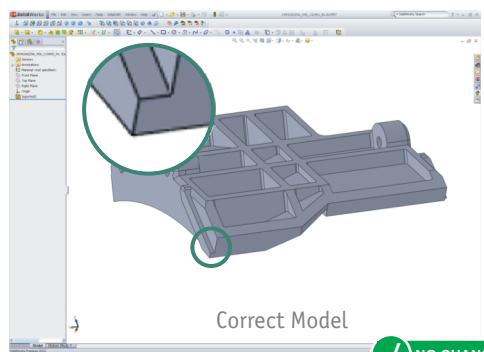
CompareWorks extends SolidWorks capabilities to comply with MBE. In the MBE process 3D CAD models are used as a reference/authority for engineering and manufacturing throughout the entire product life cycle. Create a customizable report summarizing the validation results.

### Manufacturing

Now SolidWorks users can compare and validate imported SolidWorks models prior to manufacturing. CompareWorks ensures that the model used in manufacturing is a precise and high quality representation of the original model. Make correct parts the first time and avoid the cost of wasted materials and manufacturing time.



! CHANGE

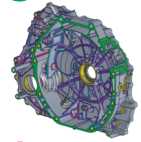


✓ NO CHANGE

# CompareWorks

CAD Validation Add-In For SolidWorks

✓ NO CHANGE



! CHANGE

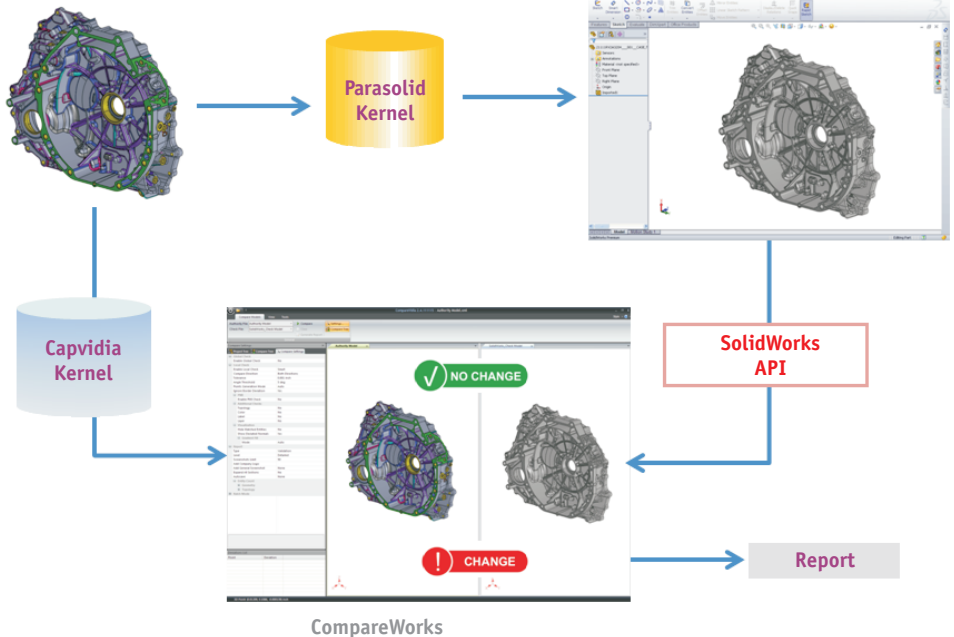
## Benefits

- Precisely compare and validate CAD models that are imported into SolidWorks
- Work with imported CAD models with the same confidence as with the original model
- Get more out of your SolidWorks investment
- Easy to integrate validation procedure throughout your company's process
- Find hidden translation errors and avoid costly manufacturing mistakes
- Comply with OEM or customer directives for CAD data validation
- Make the right part first time without wasting engineering and manufacturing time

## Validation Process

Authority Model

SolidWorks Imported Model



Capvidia NA LLC

Mobile: 507 276 2379

Phone: 507 794 5447

E-mail: sales@capvidia.com

Capvidia NV Headquarters  
Technologielaan 3  
B-3001 Leuven, BELGIUM  
Phone: +32 (16) 40 27 47  
E-mail: info@capvidia.be  
www.capvidia.com